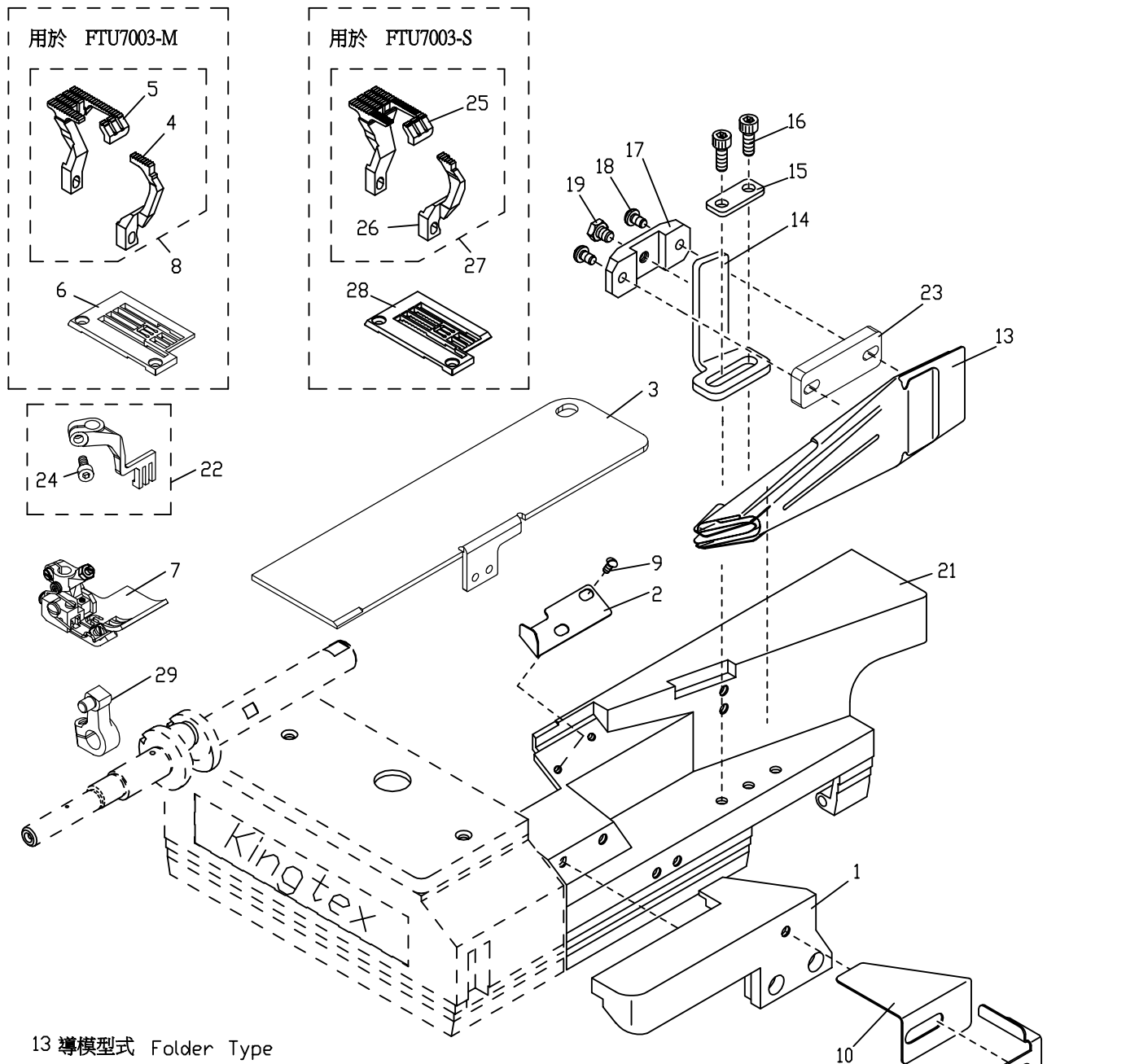
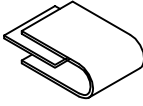
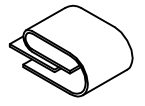
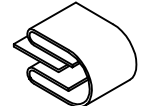


1. FTU7003 平形圓領包邊用零件列表

Parts List For FTU7003 Collarettes Knitted Binding



13 導模型式 Folder Type

導模型式 Folder Type	 2折 Two Fold	 3折 Three Fold	 4折 Four Fold
圖號 Part No.	221FR0201 (F030208FD2)	221FR0301 (F030208FD3)	221FR0401 (F030208FD4)

序號 Ref.No.	名稱 Description	針距 Distance of Needles		
		4.8	5.6	6.4
6	針板 Needle Plate	5228TP03480	5228TP03560	5228TP03640
7	壓腳 Presser Foot	5228PFT03480	5228PFT03560	5228PFT03640
◎28	針板 Needle Plate		5228TP03562	

1. FTU7003 平形圓領包邊用零件列表

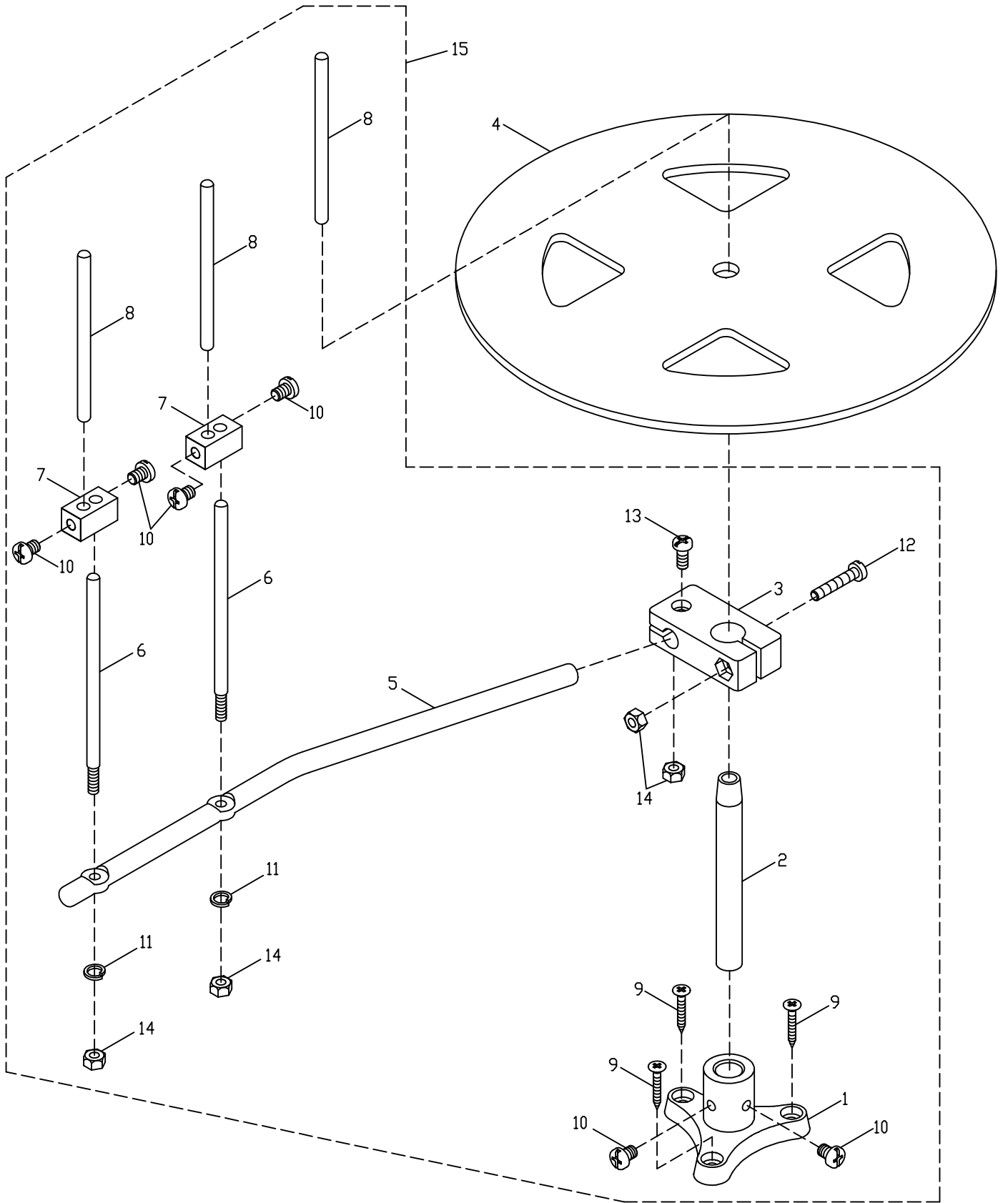
Parts List For FTU7003 Collarettes Knitted Binding

序號 Ref. No.	物料編號 Parts No.	名稱 Description	單位用量 Amt. Req.
1	2280030101	下座前蓋活動塊 Movable Block -----	1
2	22840301021	防塵蓋 Dust Cover -----	1
3	2210030102	防塵蓋 Dust Cover -----	1
4	5221DF03563	副送布齒 Diff Feed Dog -----	1
5	5228FD03560	主送布齒 Main Feed Dog -----	1
6	-----	針板 Needle plate (see Left Page) -----	-
7	-----	壓腳組 Press Foot Asm. (see Left Page) -----	-
8	5228DG0004	送布齒組 Feed Dog Asm.-----	1
9	8MB04280807K	螺絲 Screw (CT0215 M4-0.7*8) -----	2
10	2200030214	導帶布板 Fabric Silde Plate -----	1
11	90PW050	墊圈 Washer -----	1
12	8MB05320710A	螺絲 Screw (C030217 M5-0.8*7) -----	1
*13	-----	成型導模 Folder (See Left page) -----	-
14	2210030209	導模支撐臂 Folder Support -----	1
15	2200030206	夾板 FixingPlate -----	1
16	8MM05321409A	螺絲 Screw (CT0632 M5-0.8*14) -----	2
17	2200030202	導模夾板 Folder Clamp -----	1
18	8SC44401107A	螺絲 Screw(K06-19 9/64"-40*11) -----	2
19	8SK56320608A	螺絲 Screw (C030204 7/32"-32*6) -----	1
20	2210030224	輔助布板 Aux. Cloth Plate -----	1
21	2284030131	下座前蓋 Front Cover -----	1
22	5228DGT03560	上送布齒 Top Feed Dog -----	1
23	2284030123	夾板 FixingPlate -----	1
24	8MM04280907A	螺絲 Screw (UH0171 M4-0.7*9) -----	1
◎25	5228FD03561	主送布齒 Main Feed Dog -----	1
◎26	5228DF03561	副送布齒 Diff Feed Dog -----	1
◎27	5228DG0009	送布齒組 Feed Dog Asm.-----	1
◎28	-----	針板 Needle plate (see Left Page) -----	-
29	2210390256	曲柄 Lever -----	1

*特註品 Custom-made Item

◎用於 FTU7003-S 機型 For FTU7003-S

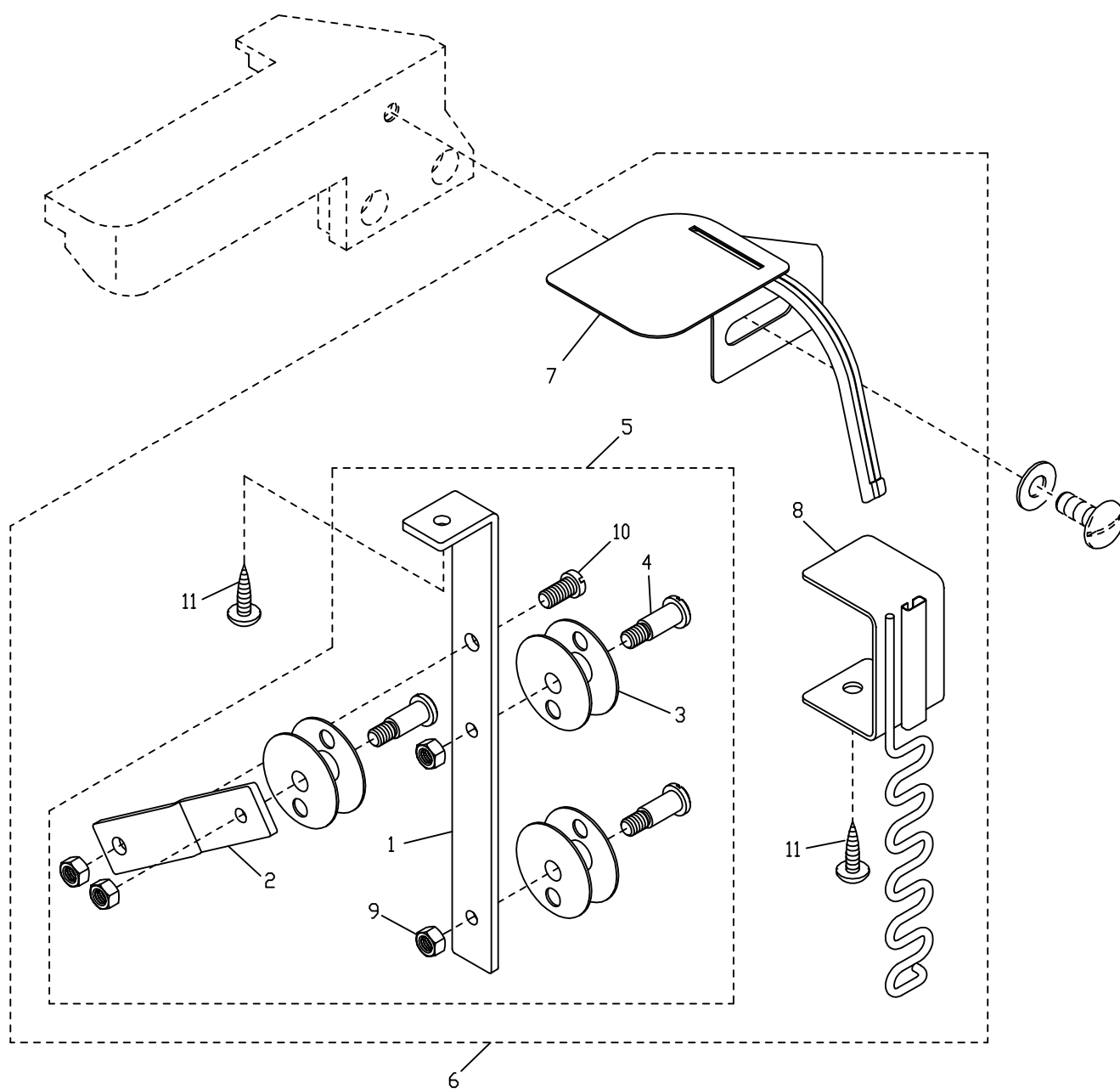
2.TS008 滾條架 Tape Stand



2.TS008 滾條架 Tape Stand

序號 Ref.No.	圖號 Parts No.	名稱 Description	單位用量 Amt.Req.
1	4TS0080101	座 Stand Base -----	1
2	4TS0080102	立柱 Rod -----	1
3	4TS0080103	接頭 Joint -----	1
4	4TS0050101	承盤 Plastic Plate -----	1
5	4TS0080105	旋臂 Arm -----	1
6	4TS0080106	線盤軸 Spool Pin -----	2
7	4TS0080107	定位調整塊 Tape Adjusting Holder -----	2
8	4TS0080108	軸 Shaft -----	3
9	8ME34002500A	木螺絲 Wood Screw -----	3
10	8MC06400810A	螺絲 Screw -----	6
11	90SW050	彈簧墊圈 Spring Washer -----	2
12	8MC05322709A	螺絲 Screw -----	1
13	8MC05321109A	螺絲 Screw -----	1
14	8MA03200408A	螺帽 Nut -----	4
15	4TS008A0115	滾條架組 Tape Stand Asm. -----	1

3. TS010 導模零件列表 TS010 Guide Components



3. TS010 導模零件列表 TS010 Guide Components

序號 Ref. No.	物料編號 Parts No.	名稱 Description	單位用量 Amt. Req.
1	2280030201	支架 Bracket -----	1
2	2280030202	支架 Bracket -----	1
3	2280030203	滾輪 Roller -----	3
4	2280030204	螺椿 Stud -----	3
5	228A0030205	滾輪組 Roller Asm. -----	1
*6	/TS010	導模組 Fabric Guide Aam. -----	1
7	221FR1001	導模 Fabric Guide -----	1
8	221FR1101	導模 Fabric Guide -----	1
9	8MA05320408A	螺帽 Nut (CT1028 M5-0.8*4) -----	4
10	8MB05321007X	螺絲 Screw (NT0407 M5-0.8*10) -----	1
11	8WD30000015B	木螺絲 Wood Screw -----	2
*△12	66812-5	半沉式車板 Semi-Submerged type table -----	1
*◎13	66812-8	半沉式車板 Semi-Submerged type table -----	1

*特註品 Custom-made item
 △ For FTD7003 , FTU7003用
 ◎ For FT7003用